

MST
MAX SPEED TECHNOLOGY



ASSEMBLY KIT



TCR

1 / 10 RC 2WD HIGH PERFORMANCE RACING CAR

INSTRUCTION MANUAL

ON ROAD USE ONLY

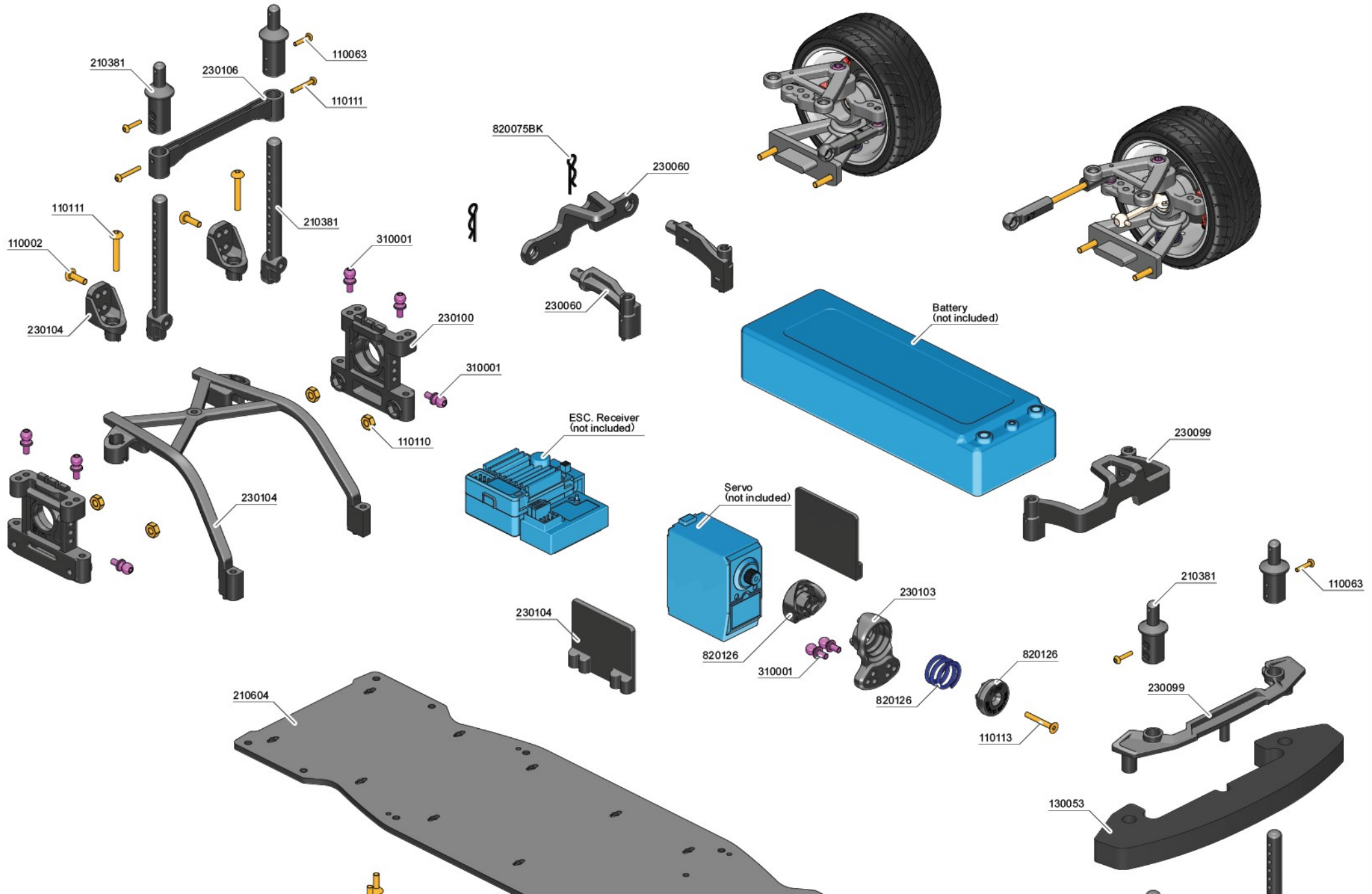
SPECIFICATION: 1:10 Racing Car
WHEELBASE: 245 / 251 / 257mm
WIDTH: 184mm
DRIVE MODE: FF/MR/RR
CASTER: Adjustable 5 degrees
FULL BALL BEARING

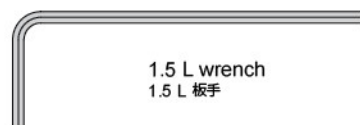
www.rc-mst.com

* SPECIFICATION ARE SUBJECT TO CHANGE WITHOUT NOTICE

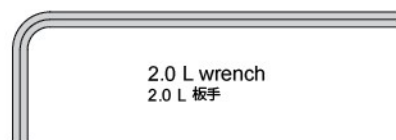
Please add color remark for () part number.
 e.g. 210123R for Red (210123)
 請增加顏色標示在 () 編號
 例: 210123R for 紅色 (210123)

Color 顏色	Remark 標示
Red 紅 / BACK 黑	R / BK





1.5 L wrench
1.5 L 板手



2.0 L wrench
2.0 L 板手



2.5 L wrench
2.5 L 板手

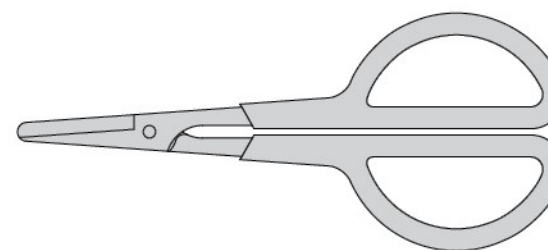


5.5 & 7.0 alum. wrench
5.5 & 7.0 套筒板手

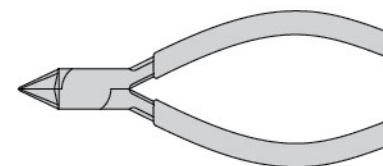
NECESSARY TOOLS FOR ASSEMBLY 工具需求 (NOT INCLUDED IN KIT) [另購]



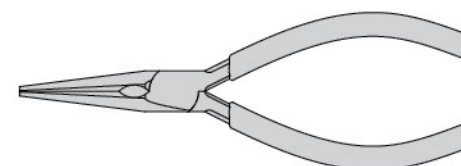
Hobby knife
美工刀



Scissors
剪刀



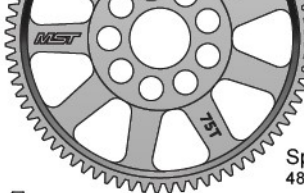

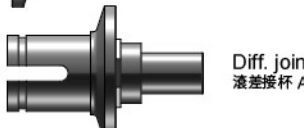











Side cutter
斜口鉗

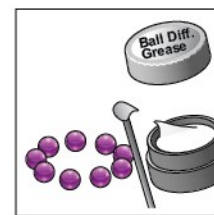


Needle nose pliers
尖嘴鉗

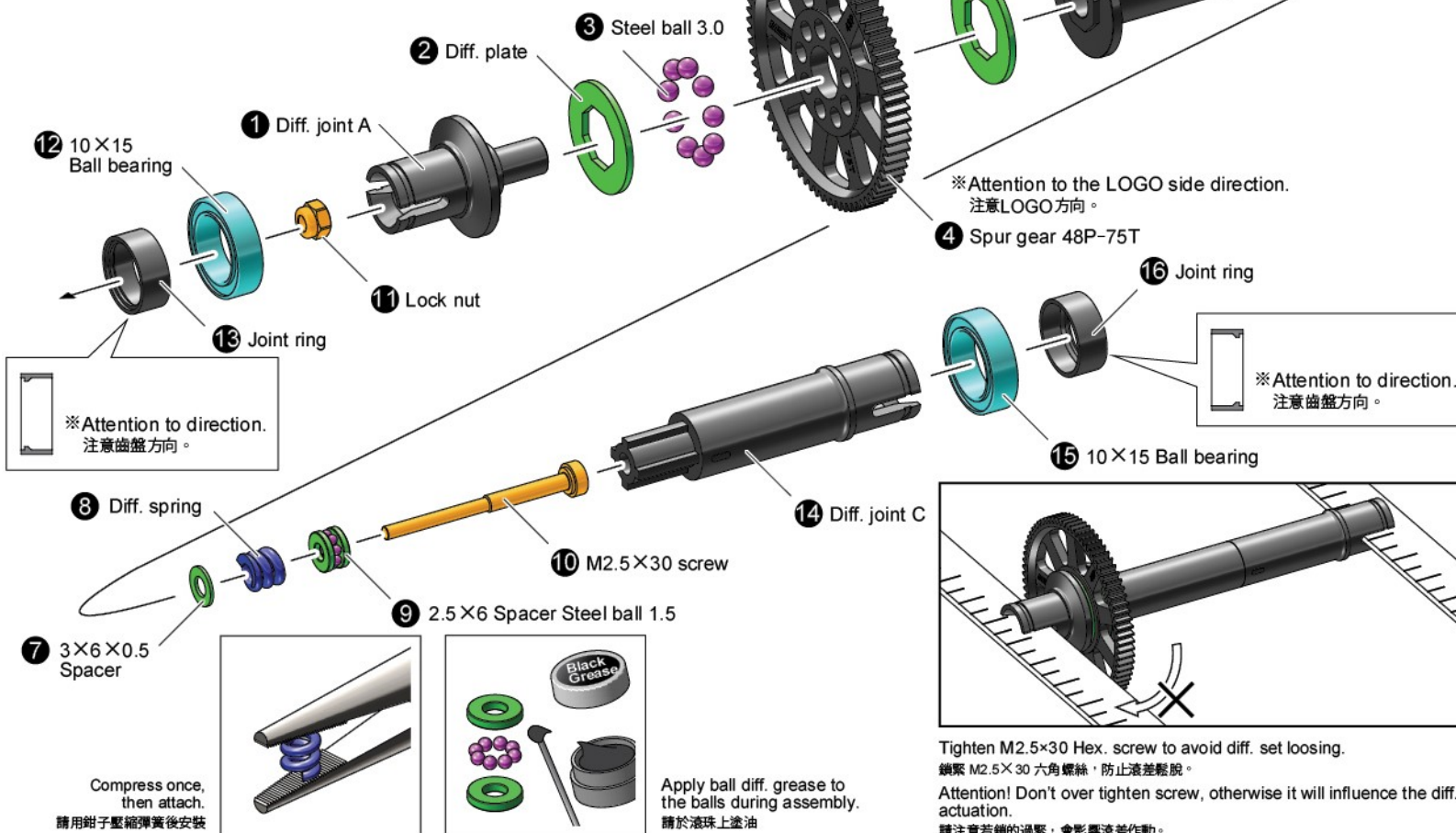
Please follow the assembling figures and instructions closely
for your [TCR] best performance!
請依照說明書圖示步驟安裝以發揮 [TCR] 最好效能!

-  Steel ball 1.5 × 8
鋼珠 1.5
-  Steel ball 3.0 × 9
鋼珠 3.0
-  Spur gear 48P-75T × 1
48P-75T 滾差大齒盤
-  Diff. joint B × 1
滾差接杯 B
-  Diff. joint A × 1
滾差接杯 A
-  Diff. joint C × 1
滾差接杯 C
-  Diff. plate × 2
滾差壓板
-  2.5×6 Spacer × 2
鋼板
-  10×15 Ball bearing × 2
培林
-  Joint ring × 2
鋁合金接杯環
-  3×6×0.5 Spacer × 1
墊片
-  Lock nut M2.5 × 1
防鬆螺帽 M2.5
-  Diff. spring × 1
滾差彈簧
-  M2.5×30 Cap screw × 1
有頭螺絲(半牙)

STEP 1 Diff. set assembly
後擺臂組裝



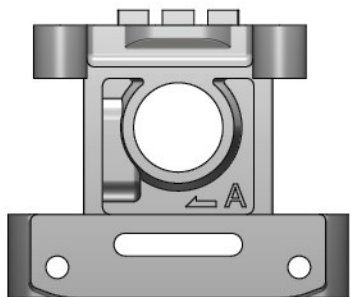
Apply ball diff. grease to the differential during assembly.
請於滾珠上塗油



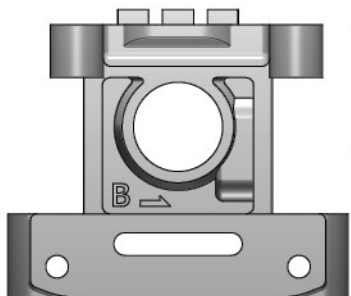
Compress once, then attach.
請用鉗子壓縮彈簧後安裝

Apply ball diff. grease to the balls during assembly.
請於滾珠上塗油

Tighten M2.5×30 Hex. screw to avoid diff. set loosening.
鎖緊 M2.5×30 六角螺絲，防止滾差鬆脫。
Attention! Don't over tighten screw, otherwise it will influence the diff. actuation.
請注意若鎖的過緊，會影響滾差作用。



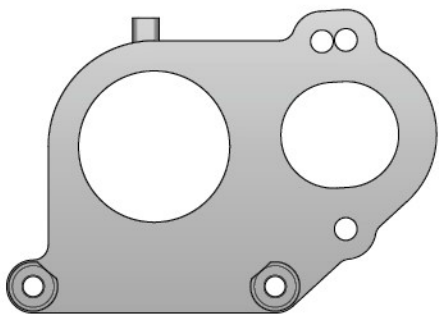
Bulkhead A ×1
側板 A



Bulkhead B ×1
側板 B



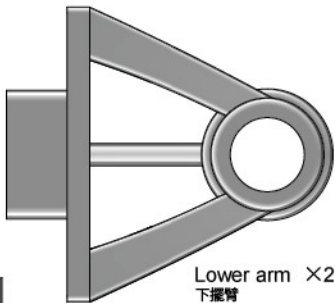
Steering block mount ×1
轉向擋塊



Motor mount ×1
馬達座



Upper arm ×2
上擺臂



Lower arm ×2
下擺臂

STEP 1 Front arm assembly
前擺臂組裝



4 Upper arm

2 Steering block mount

1 Bulkhead A

※ Note the mark is on the upside.
注意記號位置。

3 4.8×4.5 Ball connector

5 Diff. set

6 Motor mount



8 M3×20



7 Lower arm



※ Note the mark is on the upside.
注意記號位置。

4 Upper arm

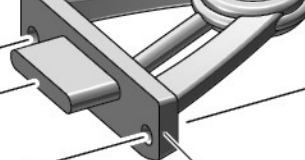
2 Steering block mount

3 4.8×4.5 Ball connector

1 Bulkhead B

7 M3×12


6 M3 Nut





5 Lower arm

STEP 2
Attaching front arm
安裝前擺臂

 M3 Nut ×2
M3 螺帽

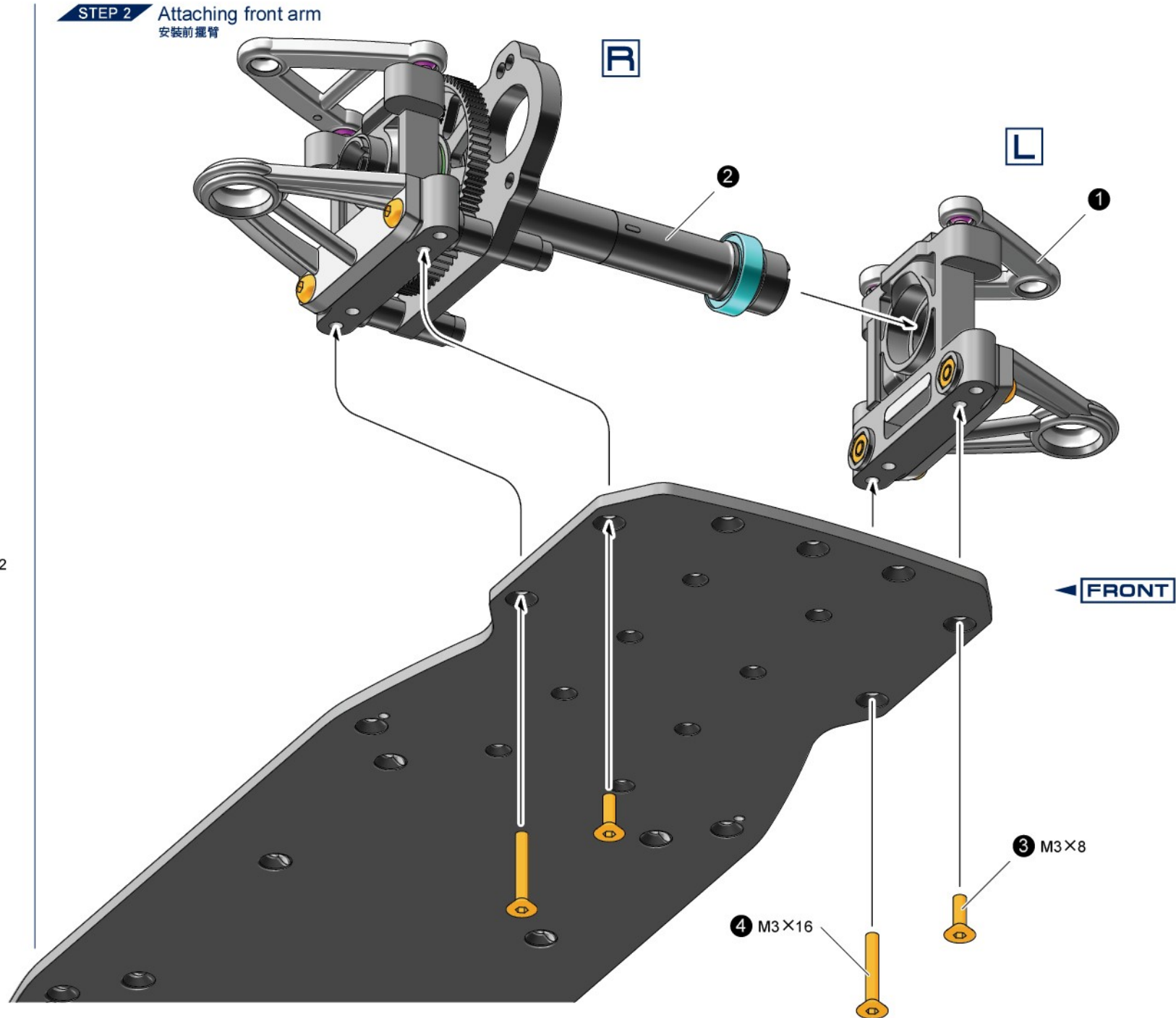
 M3×8 screw ×2
沉頭螺絲

 M3×12 screw ×2
圓頭螺絲

 M3×16 screw ×2
沉頭螺絲

 M3×20 screw ×2
圓頭螺絲

 4.8×4.5 Ball connector ×4
球頭螺絲



STEP 1 Rear arm assembly 後擺臂組裝

※ Note the mark is on the upside. 注意記號位置。

4 Upper arm



3 4.8×4.5 Ball connector

5 Lower arm

1 Bulkhead A

7 M3×12

6 M3 nut

2 4.8×4.5 Ball connector

7 M3×12

5 Lower arm

※ Note the mark is on the upside. 注意記號位置。

4 Upper arm

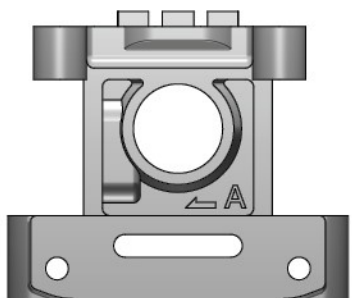


3 4.8×4.5 Ball connector

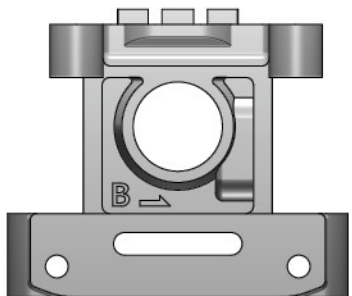
6 M3 nut

1 Bulkhead B

2 4.8×4.5 Ball connector



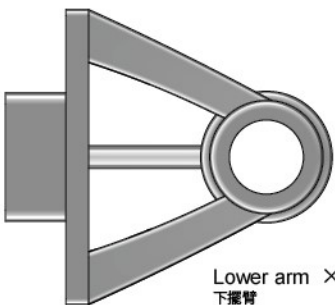
Bulkhead A ×1 側板 A



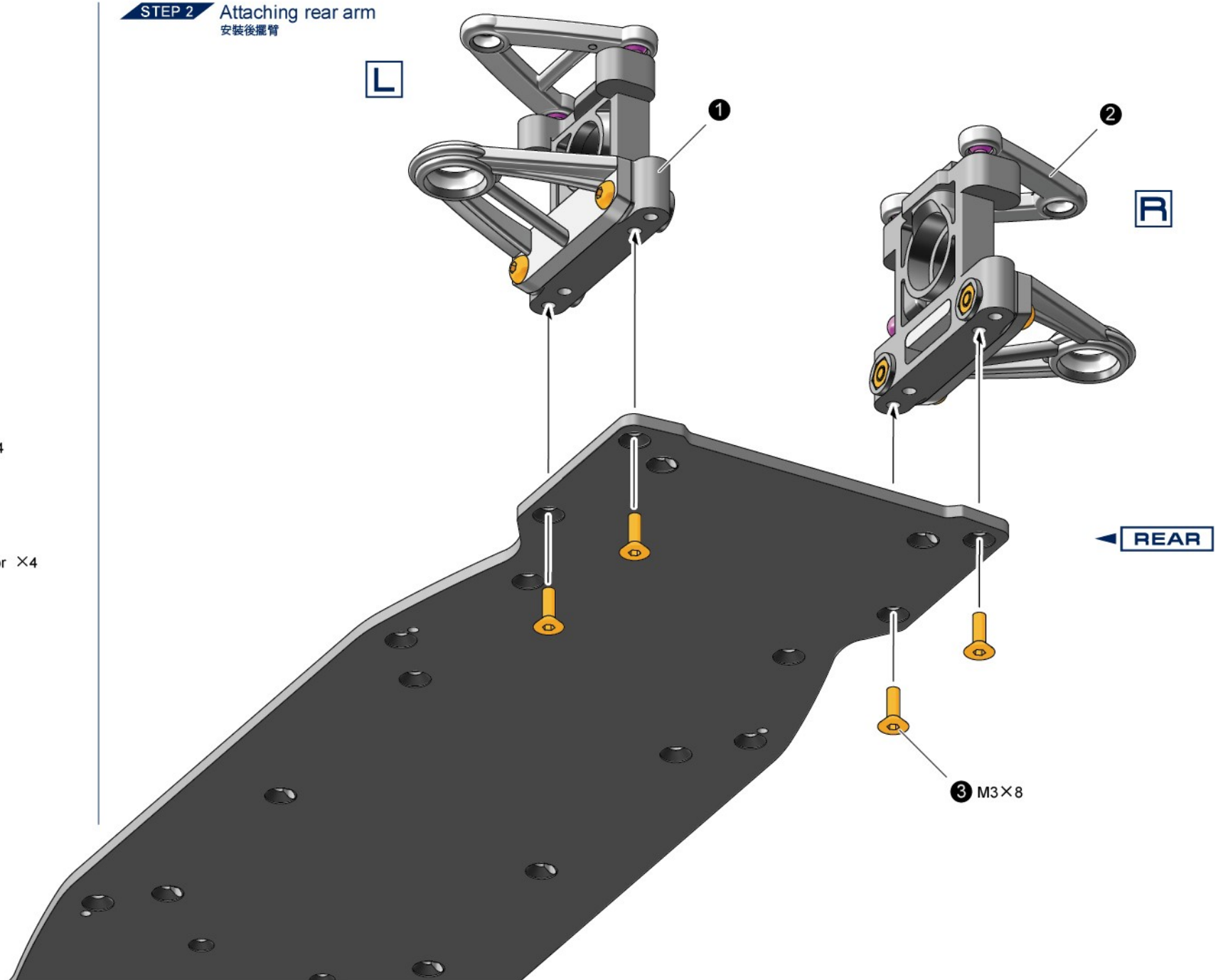
Bulkhead B ×1 側板 B

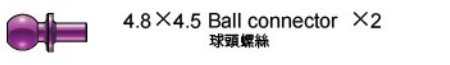
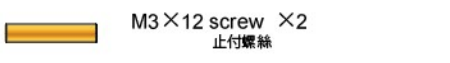
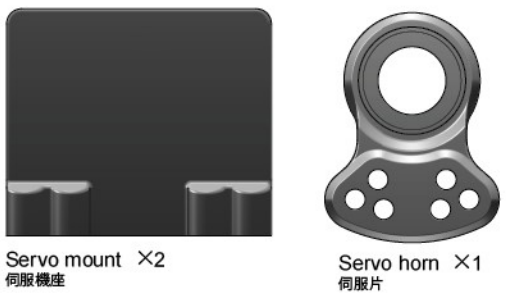


Upper arm ×2 上擺臂

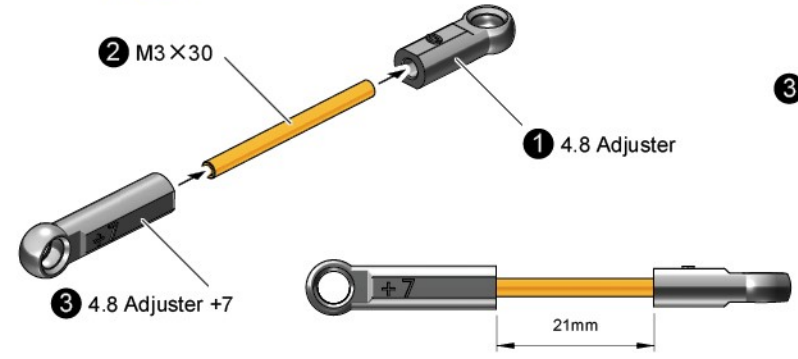


Lower arm ×2 下擺臂

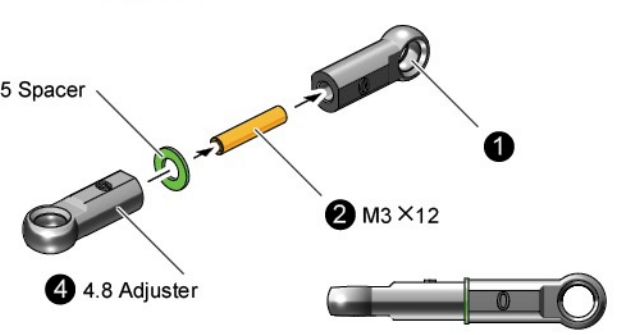
STEP 2 Attaching rear arm
安裝後擺臂M3 Nut ×4
M3螺帽M3×8 screw ×4
沉頭螺絲M3×12 screw ×4
圓頭螺絲4.8×4.5 Ball connector ×4
球頭螺絲



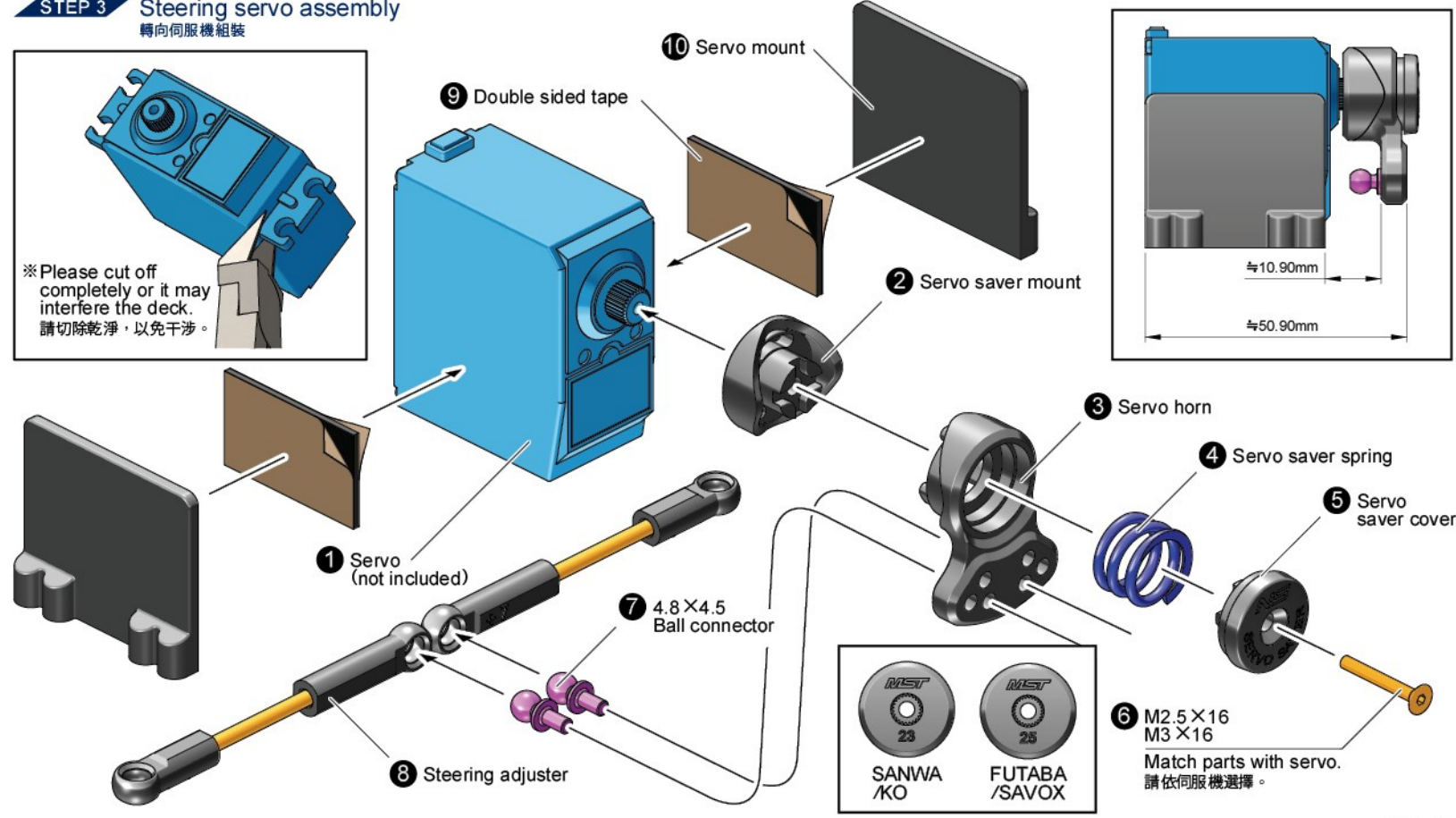
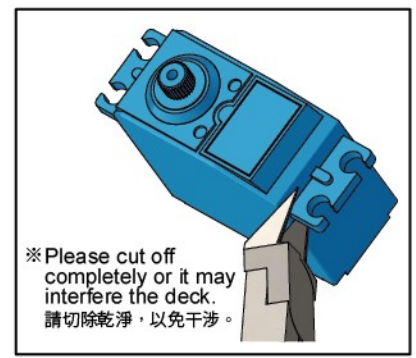
STEP 1 Steering adjuster assembly
轉向拉桿組裝



STEP 2 Rear adjuster assembly
後拉桿組裝



STEP 3 Steering servo assembly
轉向伺服機組裝



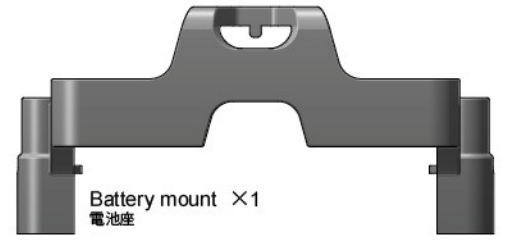
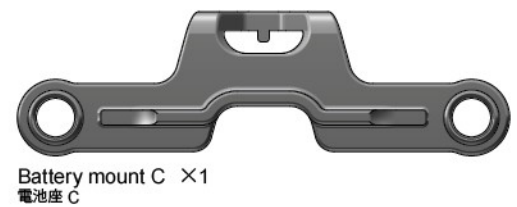
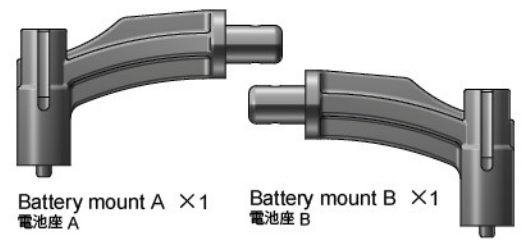
M2.5×6 screw ×4
沉頭螺絲

M3×8 screw ×4
沉頭螺絲

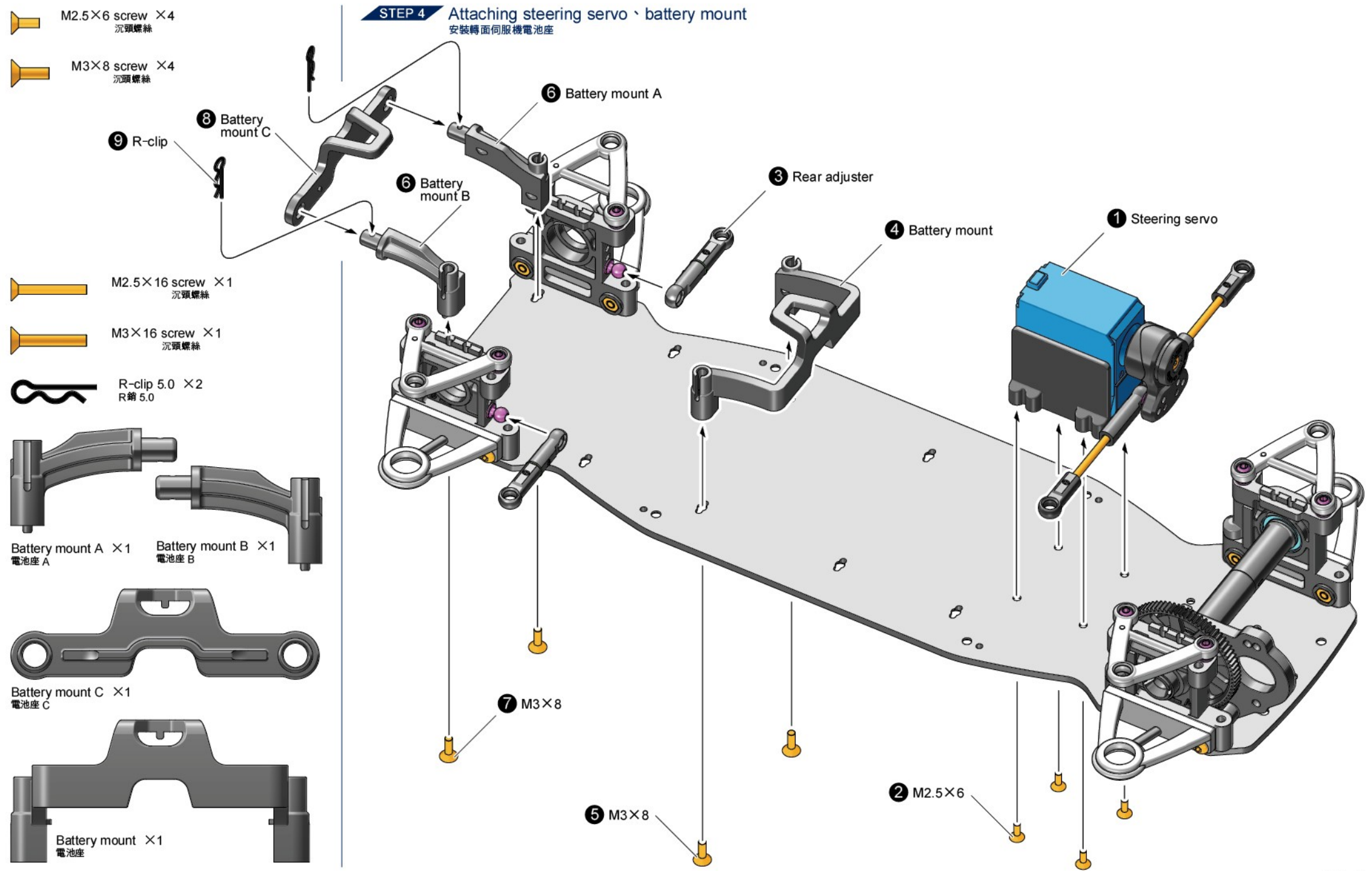
M2.5×16 screw ×1
沉頭螺絲

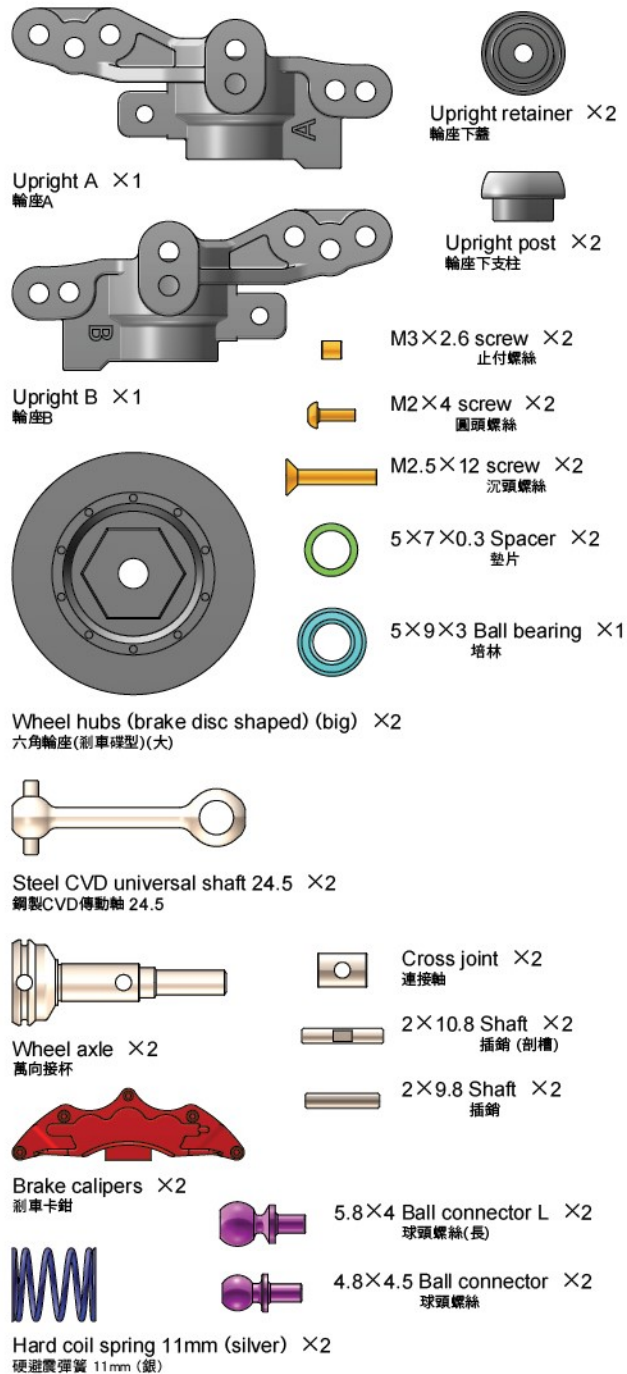
M3×16 screw ×1
沉頭螺絲

R-clip 5.0 ×2
R 第 5.0

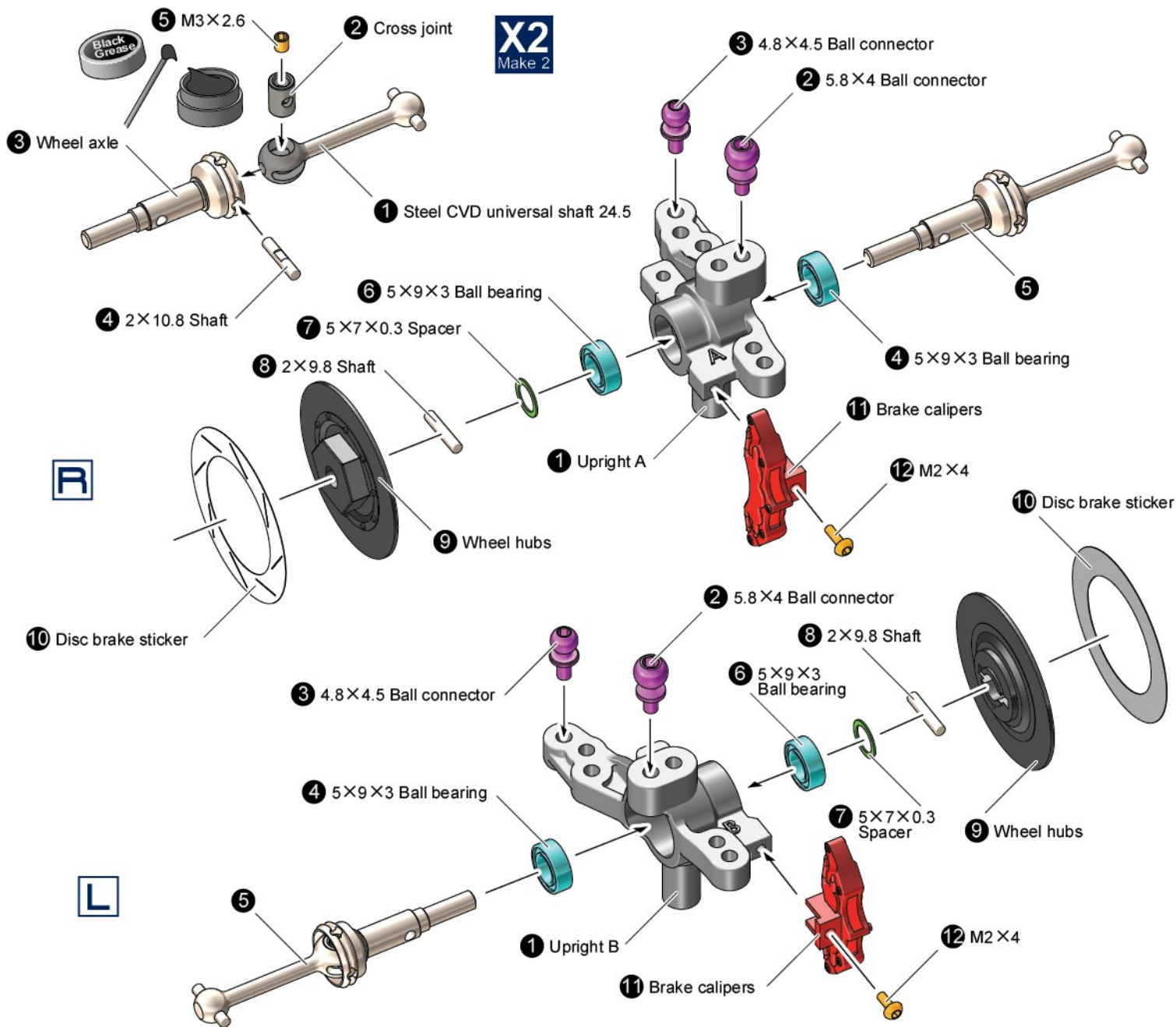


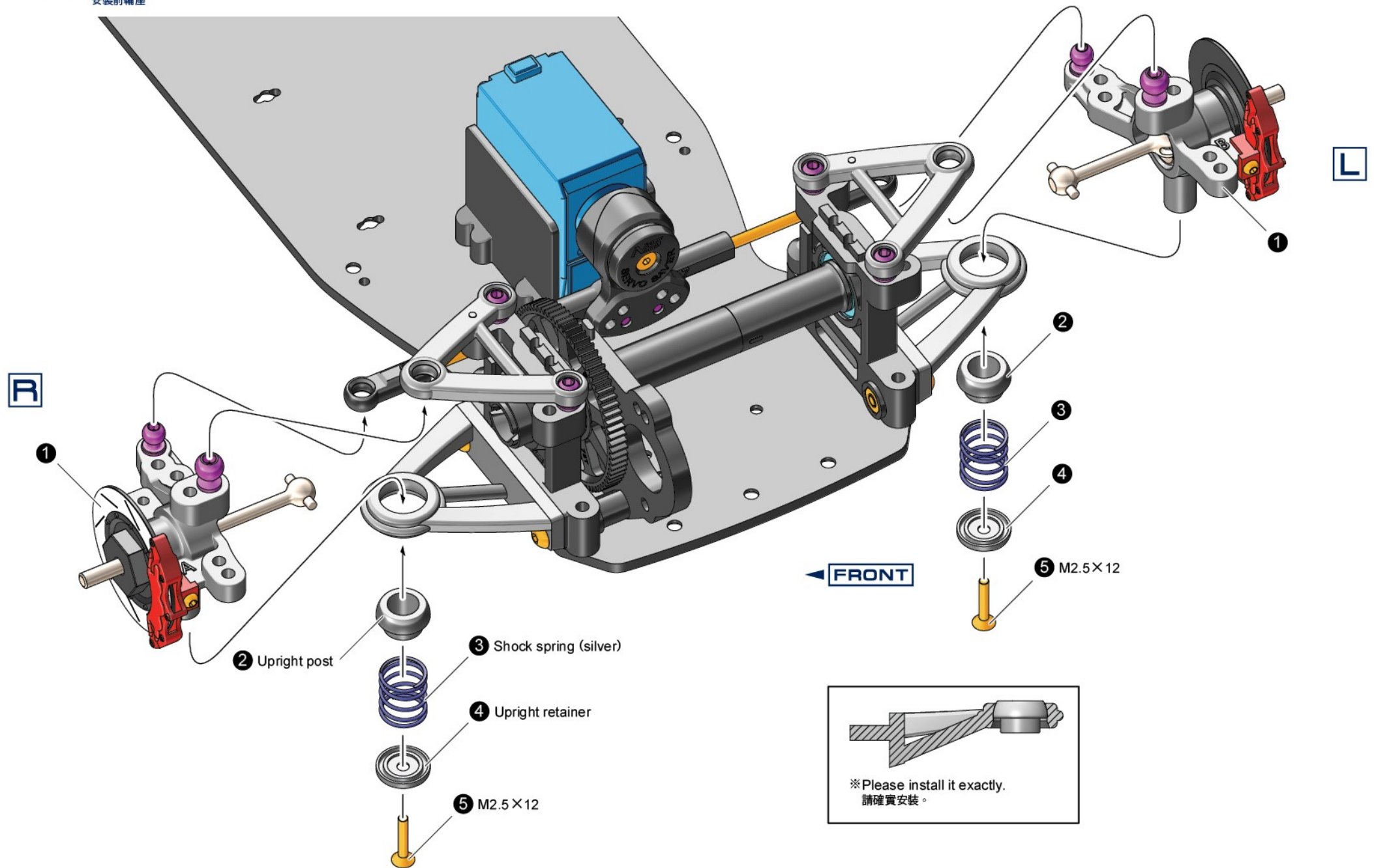
STEP 4 Attaching steering servo, battery mount
安裝轉向伺服機電池座

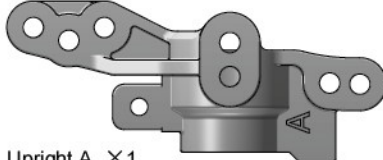
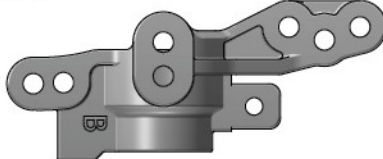
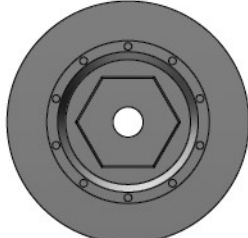


















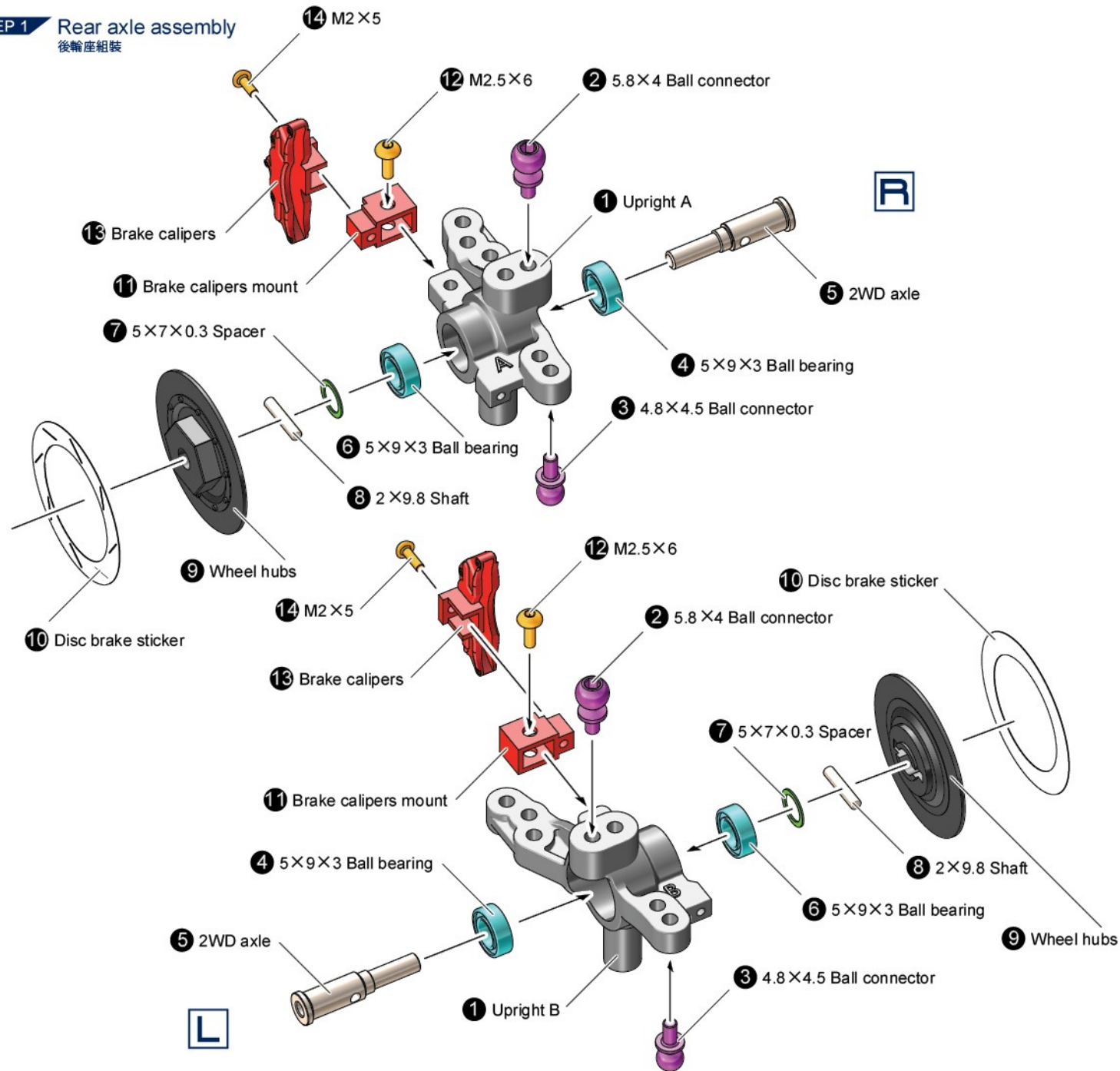
STEP 1 Front axle assembly
前輪座組裝



STEP 2 Attaching front axle
安裝前輪座

-  Upright A ×1
輪座A
-  Upright B ×1
輪座B
-  Wheel hubs (brake disc shaped) (small) ×2
六角輪座(制車碟型)(小)
-  2WD axle ×2
二驅輪軸
-  Brake calipers ×2
制車卡鉗
-  5.8×4 Ball connector L ×2
球頭螺絲(長)
-  4.8×4.5 Ball connector ×2
球頭螺絲
-  Brake calipers mount ×2
卡鉗座
-  5×7×0.3 Spacer ×2
墊片
-  5×9×3 Ball bearing ×1
培林
-  Soft coil spring 11mm (green) ×2
軟避震彈簧 11mm (綠)
-  Upright retainer ×2
輪座下蓋
-  Upright post ×2
輪座下支柱
-  M2×5 screw ×2
圓頭螺絲
-  M2.5×6 screw ×2
圓頭螺絲
-  M2.5×12 screw ×2
沉頭螺絲
-  2×9.8 Shaft ×2
插銷

STEP 1 Rear axle assembly
後輪座組裝



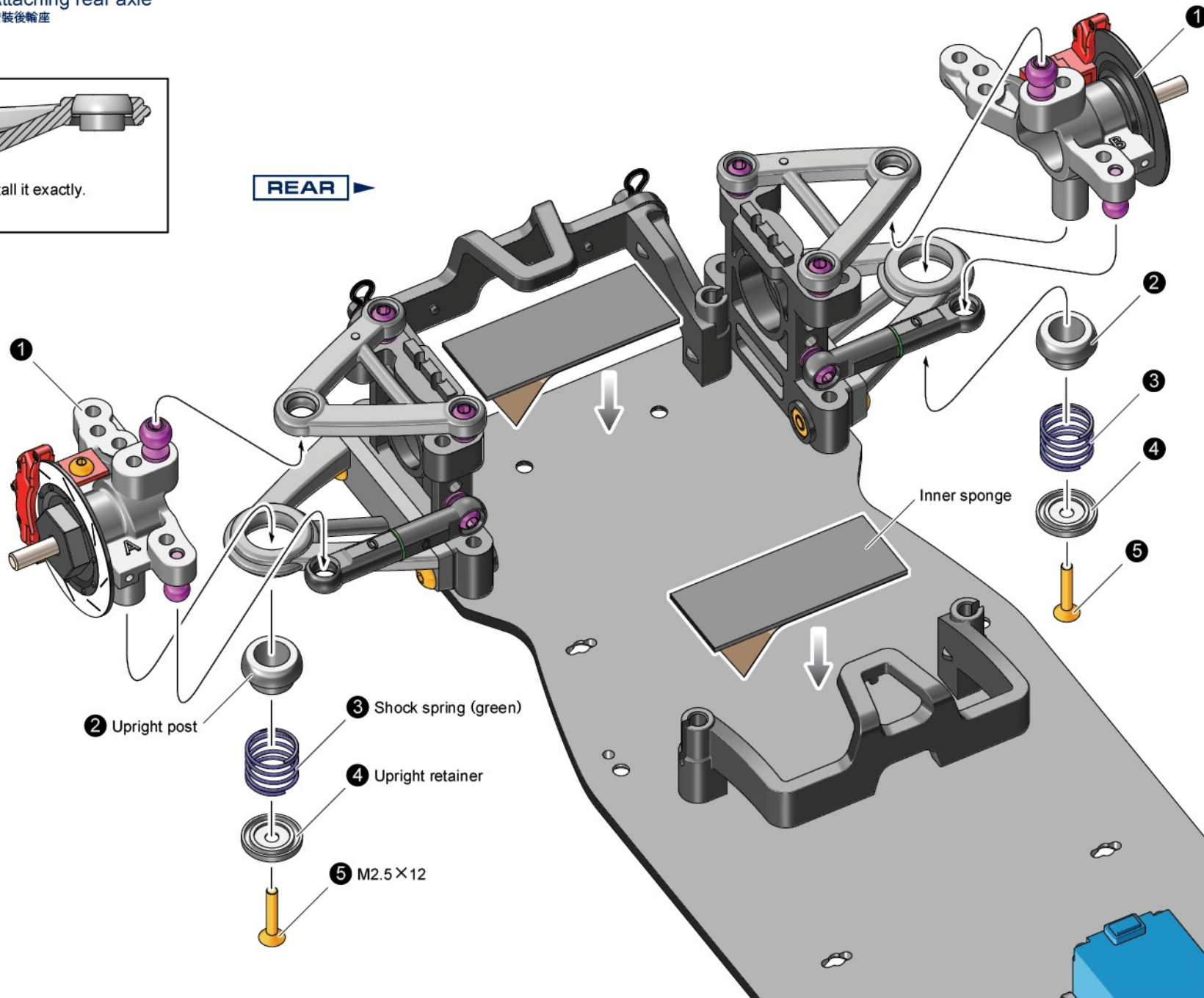
STEP 2 Attaching rear axle
安裝後輪座

※ Please install it exactly.
請確實安裝。

REAR

R

L



2 Upright post

3 Shock spring (green)

4 Upright retainer

5 M2.5 x 12

Inner sponge

STEP 1 Attaching bulkhead support
安裝側板補強架



M3×8 screw ×4
沉頭螺絲



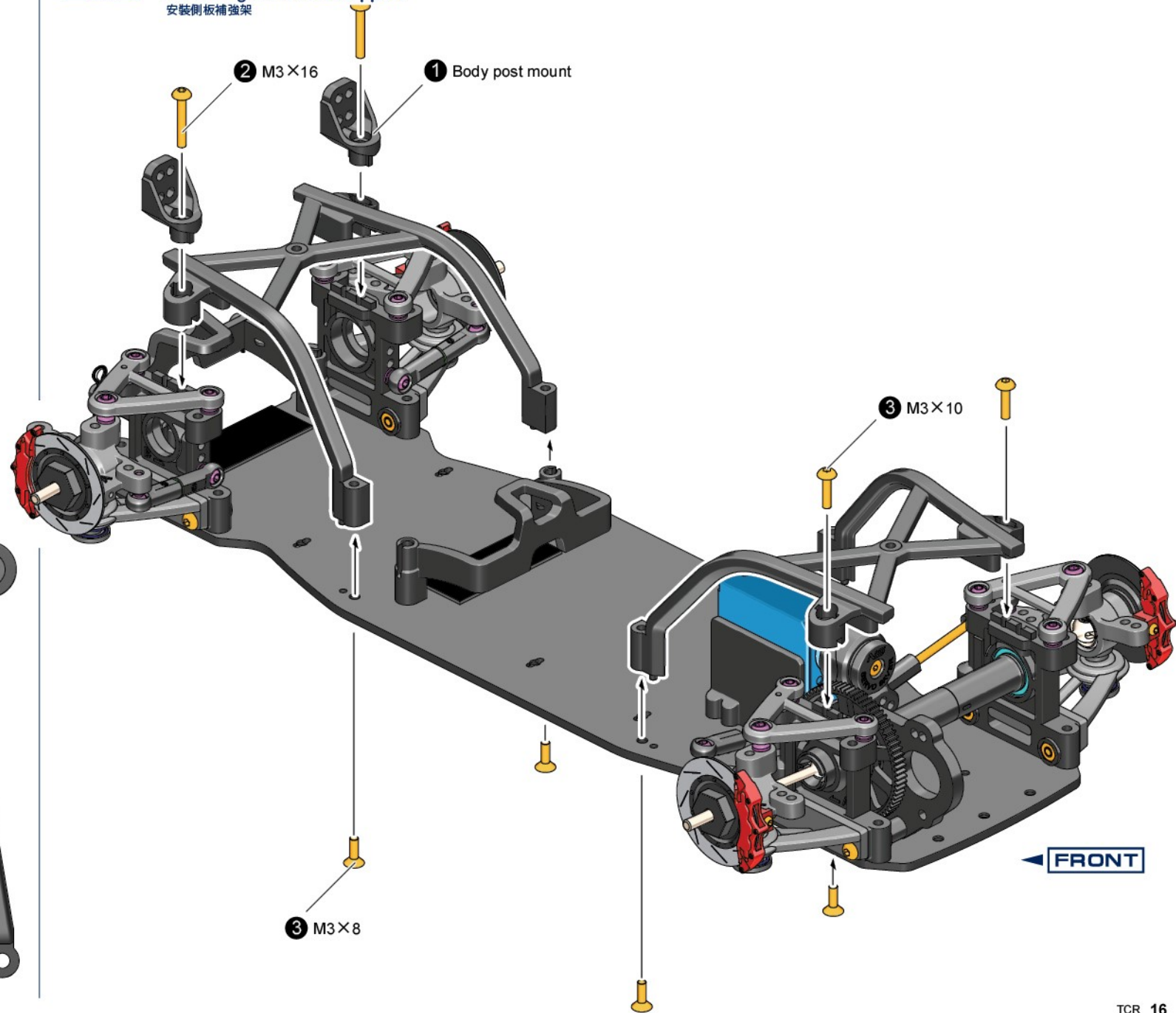
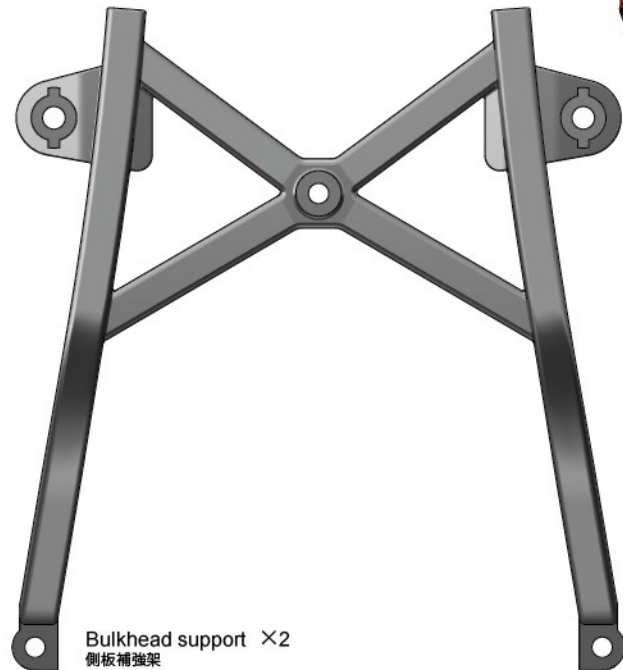
M3×10 screw ×2
圓頭螺絲



M3×16 screw ×2
圓頭螺絲



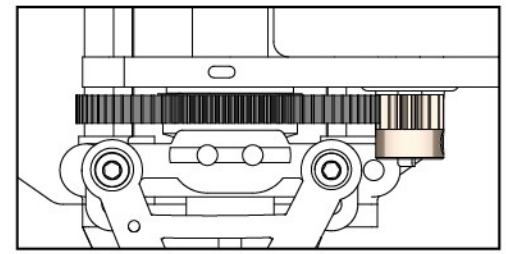
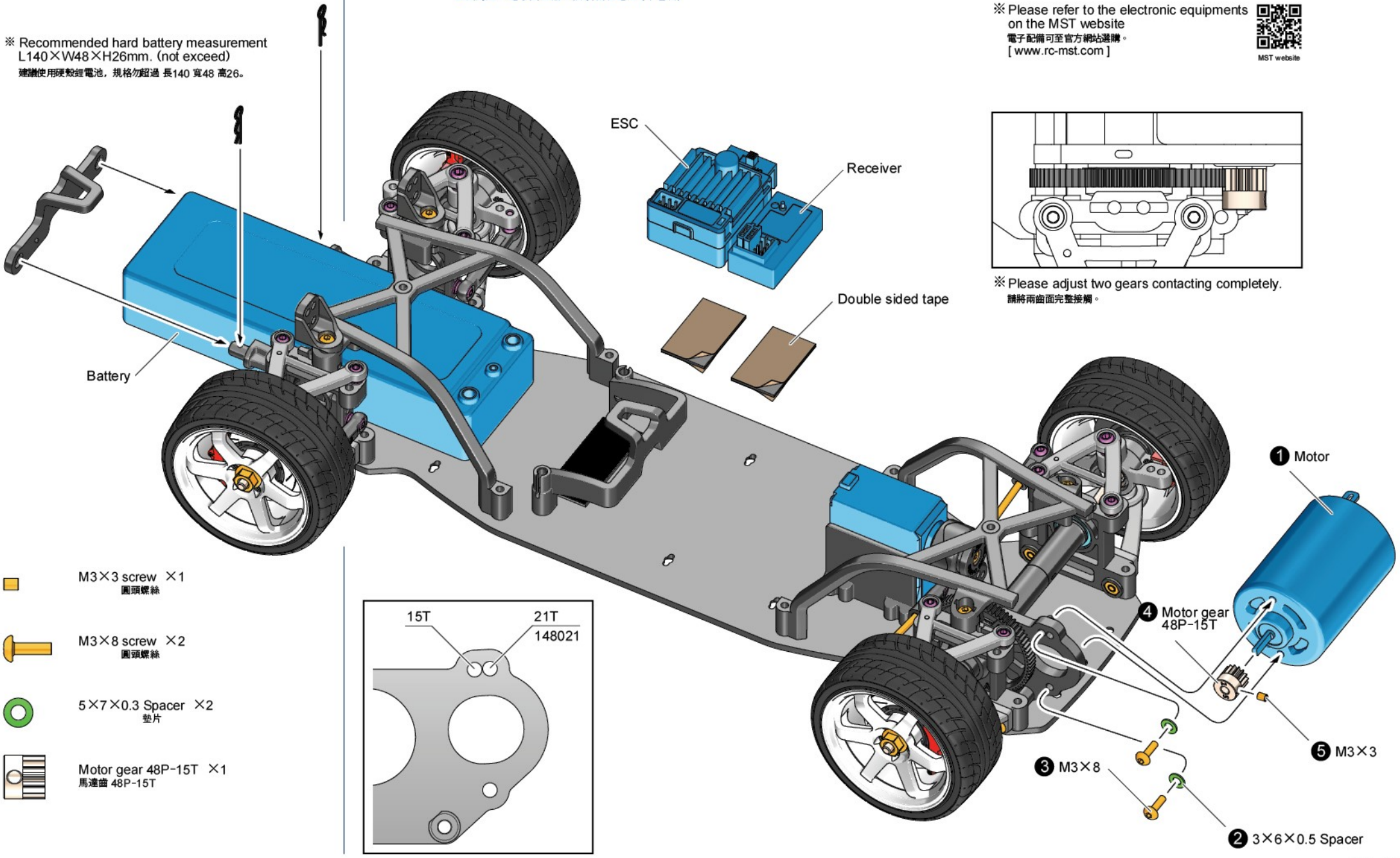
Body post mount ×2
後支柱座







STEP 1 Attaching motor、ESC、receiver & battery (not included)
 安裝馬達、電子變速器、接收機和電池 (不包含)

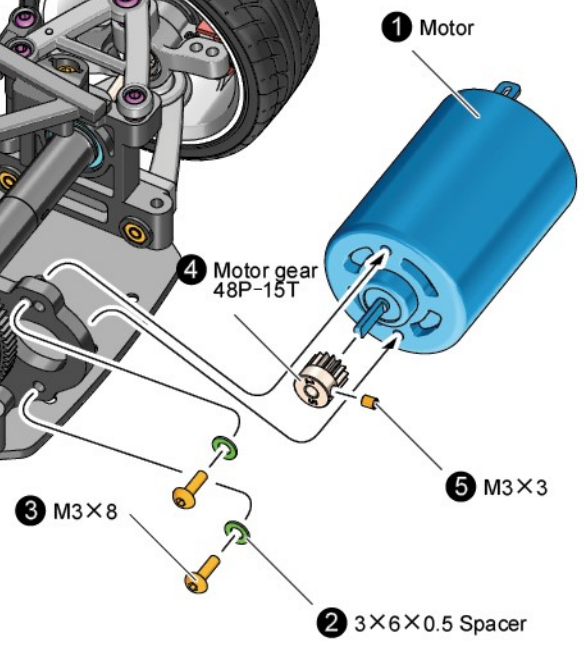
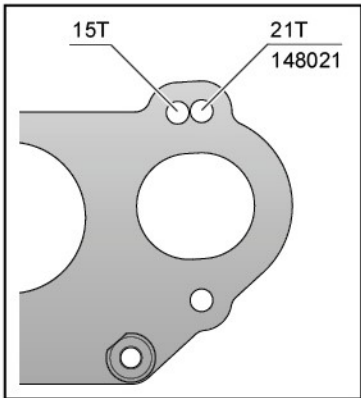
※ Recommended hard battery measurement
 L140×W48×H26mm. (not exceed)
 建議使用硬殼鋰電池，規格勿超過 長140 寬48 高26。

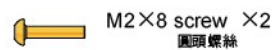
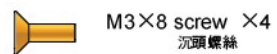
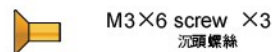
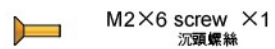
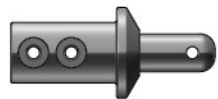
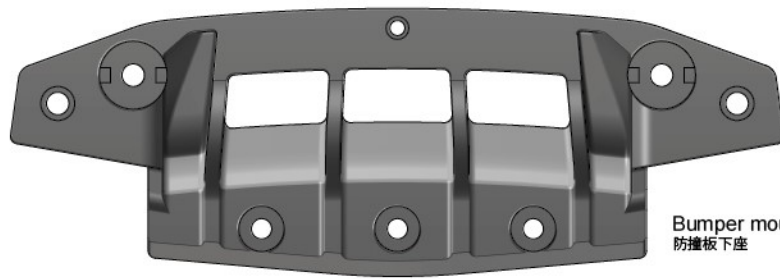
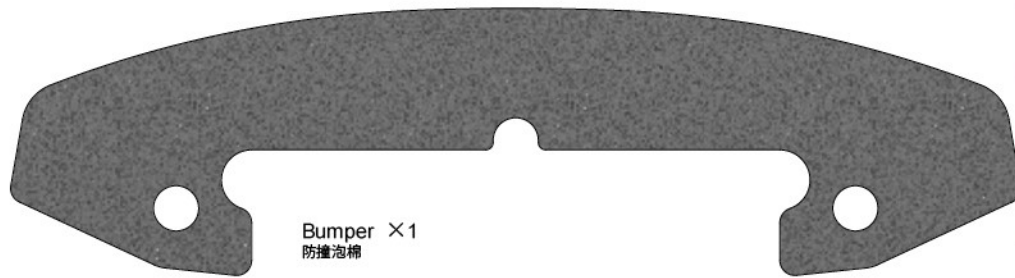
※ Please refer to the electronic equipments
 on the MST website
 電子配備可至官方網站選購。
 [www.rc-mst.com]



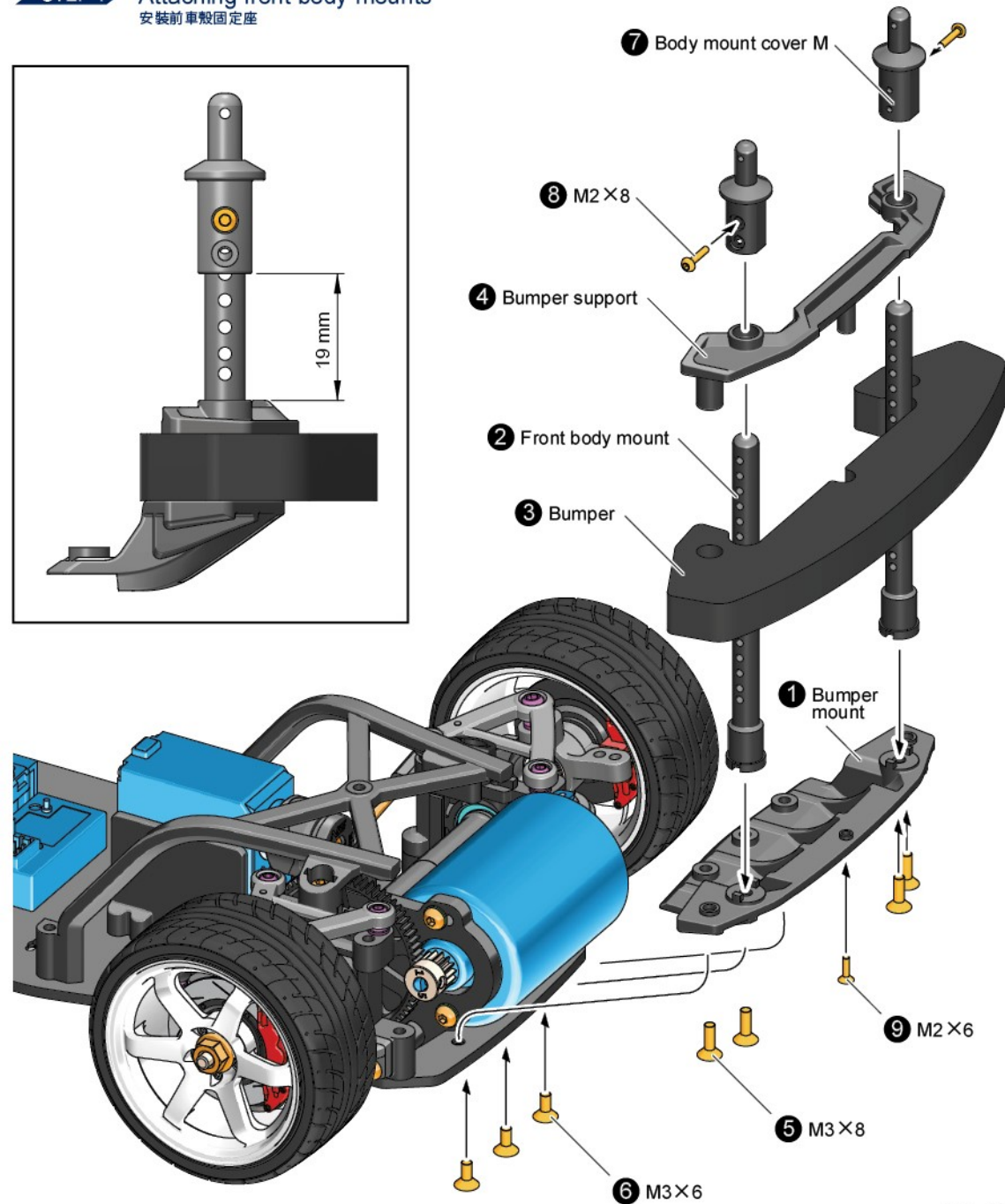
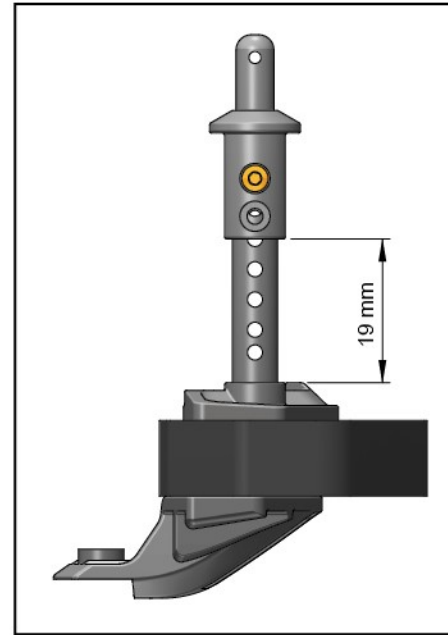
※ Please adjust two gears contacting completely.
 請將兩齒面完整接觸。

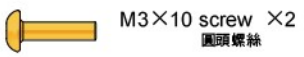
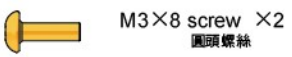
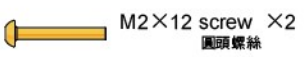
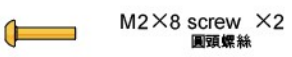
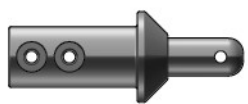
-  M3×3 screw ×1
圓頭螺絲
-  M3×8 screw ×2
圓頭螺絲
-  5×7×0.3 Spacer ×2
墊片
-  Motor gear 48P-15T ×1
馬達齒 48P-15T



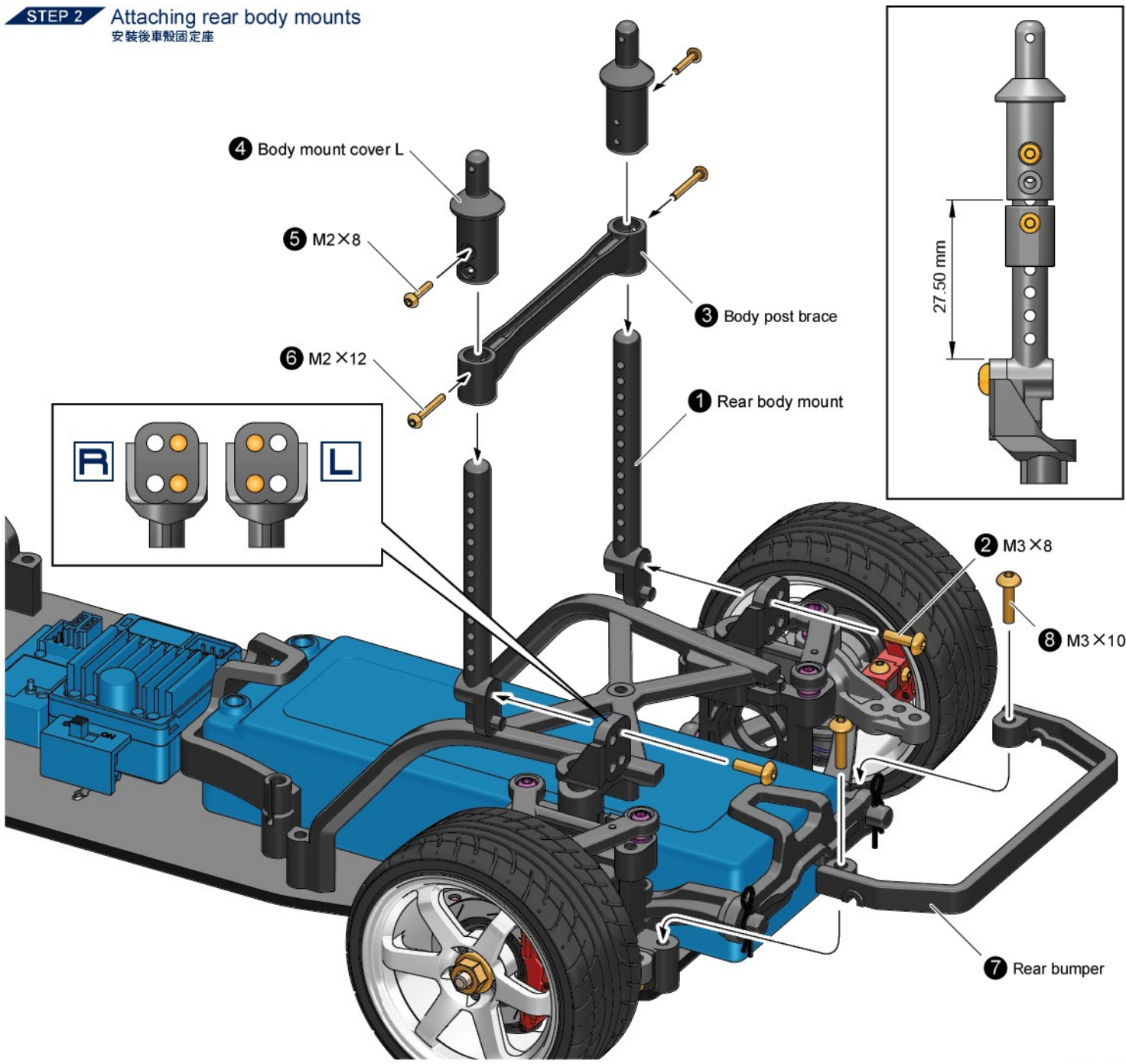


STEP 1 Attaching front body mounts
安裝前車殼固定座





STEP 2 Attaching rear body mounts
安裝後車殼固定座

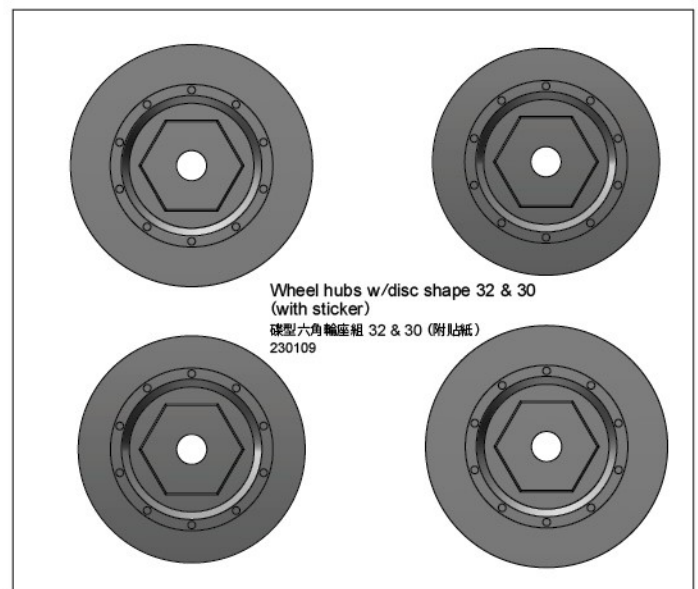
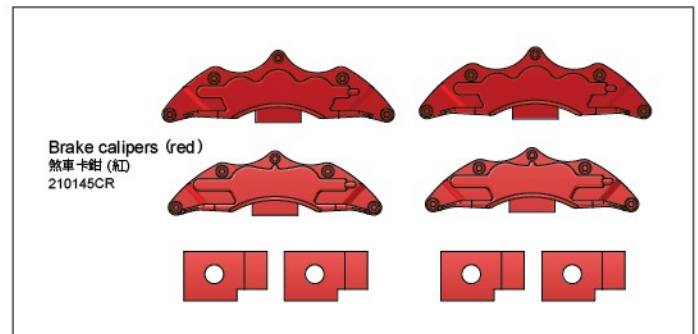
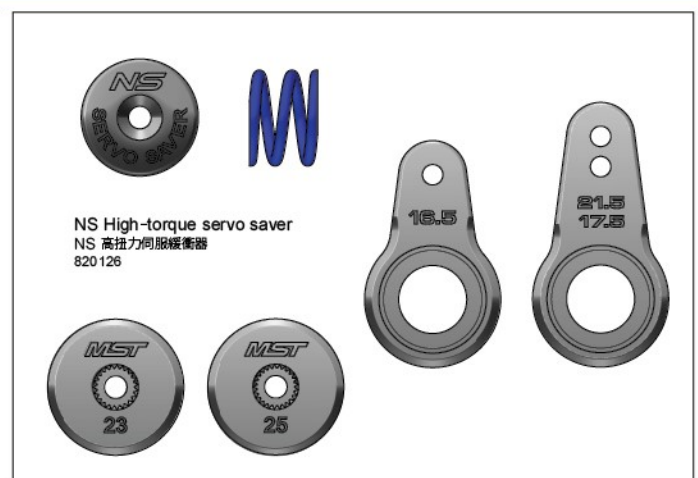


PARTS

- M2×5 screw ×4
圓頭螺絲
110050
- M2×8 screw ×4
圓頭螺絲
110063
- M2×12 screw ×2
圓頭螺絲
110111
- M2.5×6 screw ×4
圓頭螺絲
110003
- M3×8 screw ×4
圓頭螺絲
110002
- M3×10 screw ×4
圓頭螺絲
110026
- M3×12 screw ×6
圓頭螺絲
110029
- M3×16 screw ×2
圓頭螺絲
110086
- M3×20 screw ×2
圓頭螺絲
110088
- M2×6 screw ×1
沉頭螺絲
110042
- M2.5×6 screw ×4
沉頭螺絲
110112
- M2.5×12 screw ×4
沉頭螺絲
110109
- M2.5×16 screw ×1
沉頭螺絲
110113
- M3×6 screw ×3
沉頭螺絲
110024
- M3×8 screw ×18
沉頭螺絲
110005
- M3×16 screw ×2
沉頭螺絲
110073
- M2.5×30 screw ×1
有頭螺絲(半牙)
110053

- M3×2.6 screw ×2
止付螺絲
110060
- M3×3 screw ×1
止付螺絲
110035
- M3×12 screw ×2
止付螺絲
110056
- M3×30 screw ×2
止付螺絲
110103
- Lock nut M2.5 ×1
防鬆螺帽
110097
- Nut M3 ×6
螺帽
110110
- Flange nut M4 ×4
凸緣螺帽
110015
- R-clip 5.0 ×8
R-銷 5.0
820075
- 2×9.8 Shaft ×4
插銷
110017
- 2×10.8 Shaft ×2
插銷
110106
- Cross joint ×2
連接軸
820030
- Motor gear 48P-15T ×1
馬達齒 48P-15T
318100
- 2WD Axle ×2
二驅輪軸
820095
- 4WD ×2
四驅輪軸
820094
- Steel CVD universal shaft 24.5 ×2
鋼製CVD傳動軸 24.5
210605

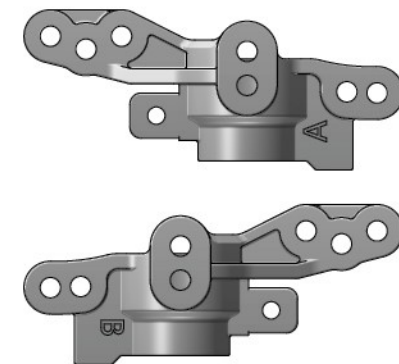
- 2.5×6 Spacer ×2
鋼板
120008
- 3×6×0.5 Spacer ×5
墊片
110047
- 5×7×0.3 Spacer ×4
墊片
820020
- Diff. plate ×2
滾差壓板
310033
- 5×9×3 Ball bearing ×8
培林
120020
- 10×15×4 Ball bearing ×2
培林
120001
- Steel ball 1.5 ×10
鋼珠 1.5
120008
- Steel ball 3.0 ×10
鋼珠 3.0
110020
- 4.8×4.5 Ball connector ×16
球頭螺絲
310001
- 5.8×4 Ball connector (L) ×4
球頭螺絲(長)
210491
- Diff. spring ×1
滾差彈簧
310032
- Hard coil spring 11mm ×2
(silver)
硬避震彈簧 11mm (銀)
820132
- Soft coil spring 11mm ×2
(green)
軟避震彈簧 11mm (綠)
820132



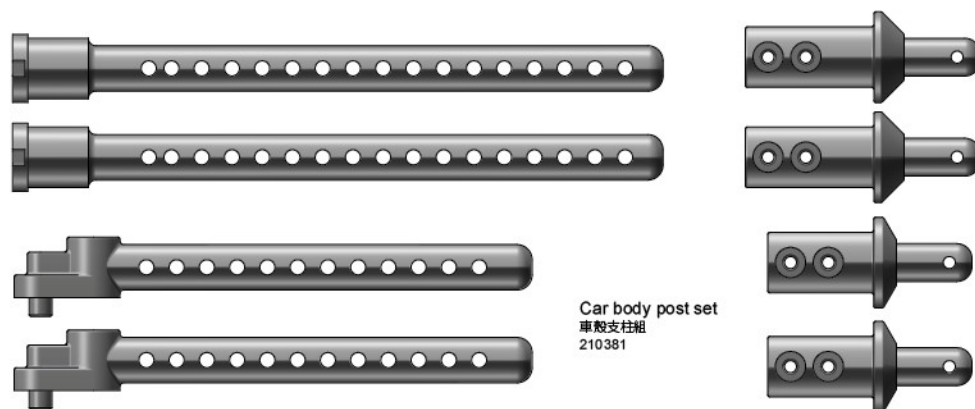
PARTS



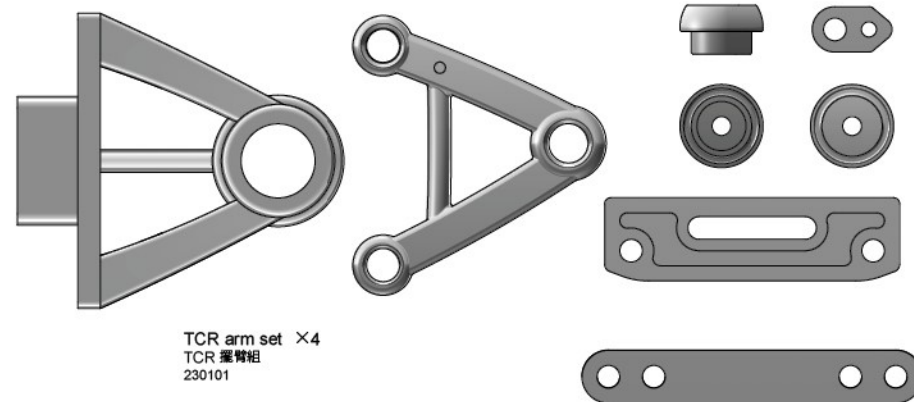
TCR Lower deck 2.5 ×1
TCR 纖維底盤 2.5
210607



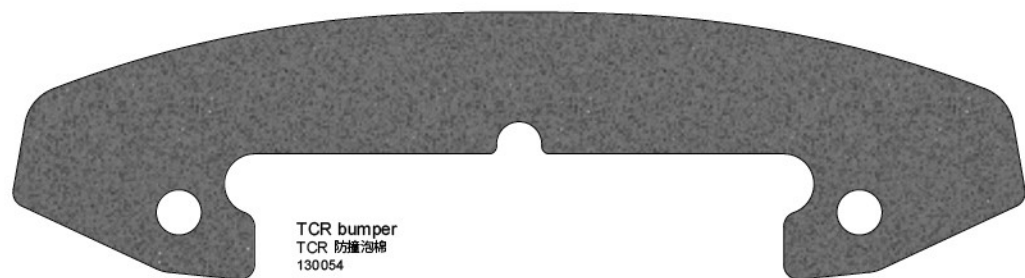
TCR wheel hub set ×2
TCR 輪座組
230102



Car body post set
車殼支柱組
210381



TCR arm set ×4
TCR 擺臂組
230101

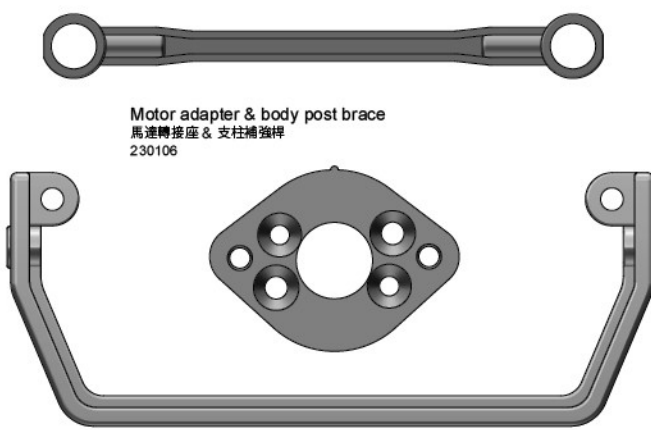
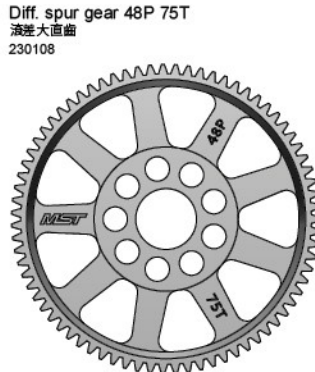
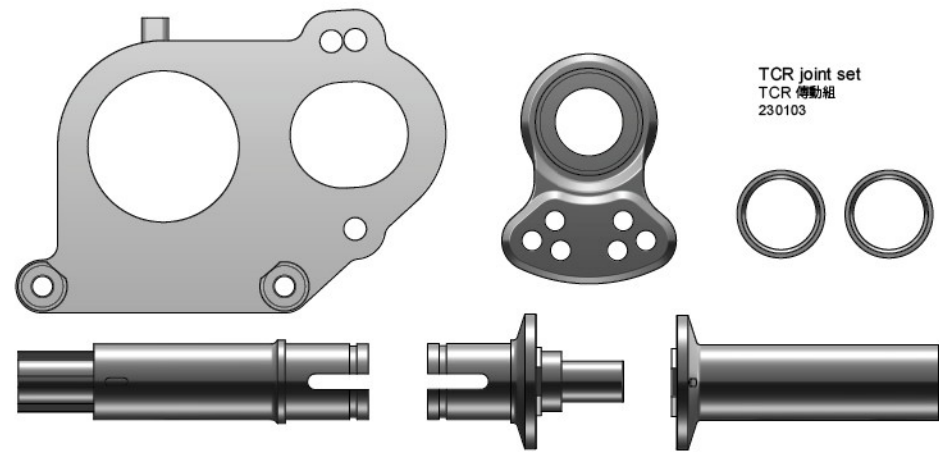
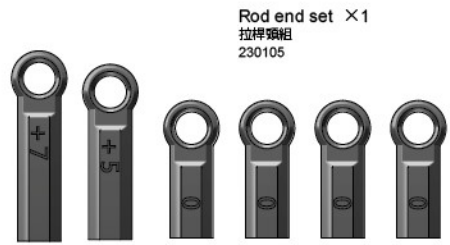
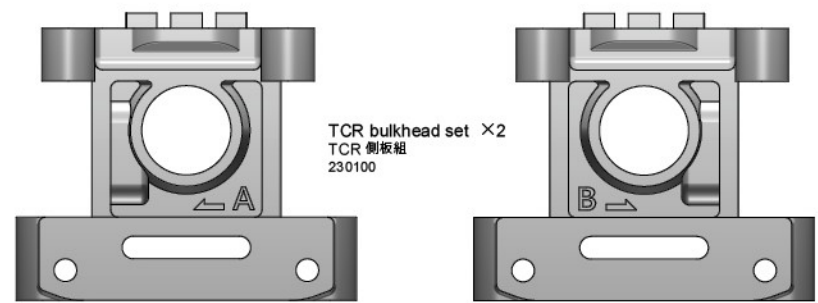
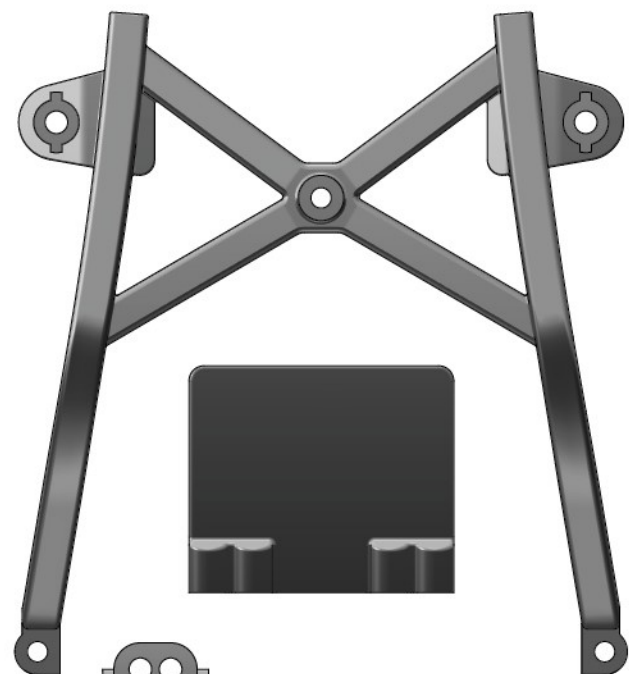
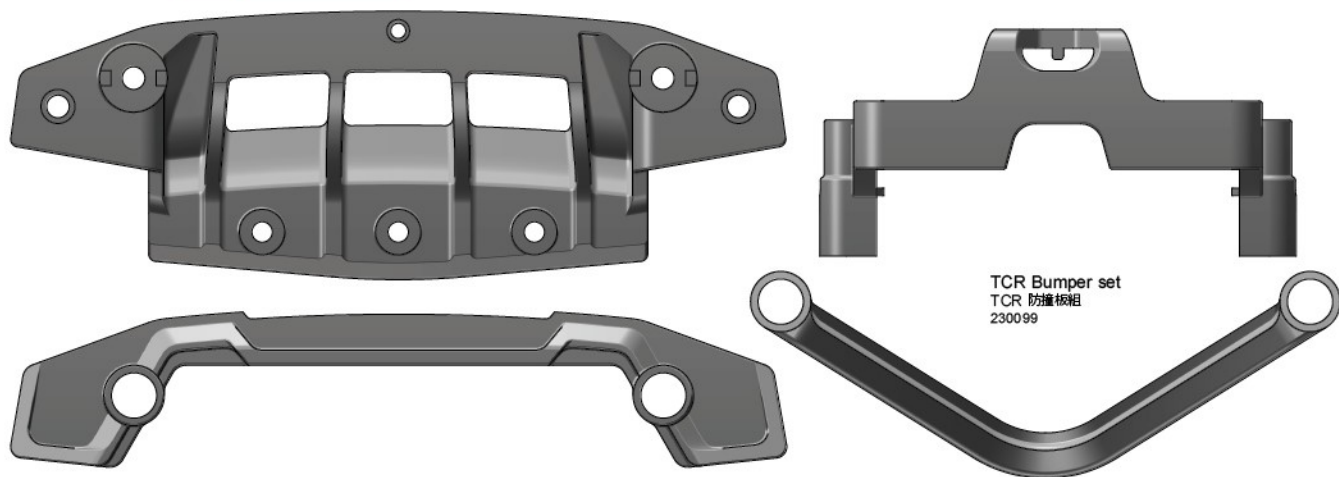


TCR bumper
TCR 防撞泡棉
130054



Battery mount
電池座組
230060

PARTS



PARTS CODE

101031	AD Realistic tire (4)	110086	Round head screw M3×16 (6)	130054	TCR Bumper	230107	MST EG6 body accessories
110002	Round head screw M3×8 (10)	110088	Round head screw M3×20 (6)	148015	MST 48P Pinion 15T	230108	Diff. spur gear 48P-75T
110003	Round head screw M2.5×6 (6)	110097	Lock nut M2.5 (5)	210145CR	Brake calipers (red) (4)	230109	Wheel hubs w/disc shape 32 & 30
110005	Countersunk screw M3×8 (10)	110103	Set screw M3×30 (6)	210193	Cross joint (4)	310001	Ball connector 4.8×4.5 (5)
110015	Flange nut M4 (4)	110106	Shaft 2×10.8 (8)	210381	Car body post set	310032	Diff. screw & spring set
110017	Shaft 2×9.8 (10)	110109	Countersunk screw M2.5×12 (6)	210491	Ball connector L 5.8×4 (4)	310033	Diff. plate (2)
110020	Steel ball 3.0 (13)	110110	Nut M3 (NL) (10)	210605	Steel CVD universal shaft 24.5 (40°) (2)	720006	MST EG6 body (clear)
110024	Countersunk screw M3×6 (10)	110111	Round head screw M2×16 (6)	210607	TCR Lower deck 2.5 (257)	820020	Spacer 5×7×0.3 (8)
110026	Round head screw M3×10 (10)	110112	Countersunk screw M2.5×6 (6)	230011BK	Black 5H wheel (+1) (4)	820075	R-clip 5.0 (10)
110029	Round head screw M3×12 (6)	110113	Countersunk screw M2.5×16 (6)	230012BK	Black TE wheel (+1) (4)	820094	AKM 4WD axle (2)
110035	Set screw M3×3 (6)	120001	Ball bearing 10×15 (4)	230060	Battery mount	820095	AKM 2WD axle (2)
110042	Countersunk screw M2×6 (6)	120008	Thrust bearing 2.5×6	230099	TCR Bumper set	820126	NS High-torque servo saver
110047	Spacer 3×6×0.5 (8)	120020	Ball bearing 5×9×3 (4)	230100	TCR Bulkhead set	820132	11mm Coil spring set (12)
110050	Round head screw M2×5 (6)	130006	Double sided tape (5)	230101	TCR Arm set		
110053	Cap screw M2.5×30 (2)	130007	Antenna pipe (2)	230102	TCR Wheel hub set		
110056	Set screw M3×12 (6)TCR	130008	Black grease	230103	TCR Joint set		
110060	Set screw M3×2.6 (10)	130034	Sponge 20×80×1 (4)	230104	TCR Accessories set		
110063	Round head screw M2×8 (6)	130036	Tools	230105	Rod end set		
110073	Countersunk screw M3×16 (6)	130040	Ball diff. grease	230106	Motor adapter & body post brace		

部品編號

101031	AD像真胎 (4)	110086	六角半圓頭螺絲 M3×16 (6)	130054	TCR 防撞泡棉	230107	MST EG6 車殼配件組
110002	六角半圓頭螺絲 M3×8 (10)	110088	六角半圓頭螺絲 M3×20 (6)	148015	MST 48P 馬達齒 15T	230108	滾差大直齒 48P-75T
110003	六角半圓頭螺絲 M2.5×6 (6)	110097	防鬆螺帽 M2.5 (5)	210145CR	煞車卡鉗 (紅) (4)	230109	碟型六角輪座組 32 & 30
110005	六角沉頭螺絲 M3×8 (10)	110103	六角止付螺絲 M3×30 (6)	210193	連接軸 (4)	310001	內六角公球頭 4.8×4.5 (5)
110015	凸緣螺帽 M4 (4)	110106	插銷 2×10.8 (剖溝) (8)	210381	車殼支柱組	310032	滾差彈簧螺絲組
110017	插銷 2×9.8 (10)	110109	六角沉頭螺絲 M2.5×12 (6)	210491	球頭螺絲 L 5.8×4 (4)	310033	滾差壓板 (2)
110020	差速鋼珠 3.0 (13)	110110	螺帽 M3 (耐落) (10)	210605	鋼製CVD傳動軸 24.5 (40°) (2)	720006	MST EG6 車殼 (透明)
110024	六角沉頭螺絲 M3×6 (10)	110111	六角半圓頭螺絲 M2×16 (6)	210607	TCR 纖維底盤 2.5 (257)	820020	墊片 5×7×0.3 (8)
110026	六角半圓頭螺絲 M3×10 (10)	110112	六角沉頭螺絲 M2.5×6 (6)	230011BK	黑5H輪框 (+1) (4)	820075	R銷 5.0 (10)
110029	六角半圓頭螺絲 M3×12 (6)	110113	六角沉頭螺絲 M2.5×16 (6)	230012BK	黑TE輪框 (+1) (4)	820094	AKM 四驅輪軸 (2)
110035	六角止付螺絲 M3×3 (6)	120001	培林 10×15 (4)	230060	電池座組	820095	AKM 二驅輪軸 (2)
110042	六角沉頭螺絲 M2×6 (6)	120008	止推培林 2.5×6	230099	TCR 防撞板組	820126	NS 高扭力伺服緩衝器
110047	墊片 3×6×0.5 (8)	120020	培林 5×9×3 (4)	230100	TCR 側板組	820132	11mm 避震彈簧組 (12)
110050	六角半圓頭螺絲 M2×5 (6)	130006	泡棉雙面膠 (5)	230101	TCR 擺臂組		
110053	六角有頭螺絲 M2.5×30 (半牙) (2)	130007	天線管 (2)	230102	TCR 輪座組		
110056	六角止付螺絲 M3×12 (6)	130008	黑色油膏	230103	TCR 傳動組		
110060	六角止付螺絲 M3×2.6 (10)	130034	吸震泡棉 20×80×1 (4)	230104	TCR 配件組		
110063	六角半圓頭螺絲 M2×8 (6)	130036	工具包	230105	拉桿頭組		
110073	六角沉頭螺絲 M3×16 (6)	130040	滾珠差速油	230106	馬達轉接座 & 支柱補強桿		

026181

TCR

1 / 10 RC 2WD HIGH PERFORMANCE RACING CAR

INSTRUCTION MANUAL

www.rc-mst.com



MST website



MST facebook

MST

MAX SPEED TECHNOLOGY